

# OSI MINI-PRECISION CURRENT TRANSFORMER

## FEATURES

- High accuracy - better than 0.3 Class
- Low frequency range extends to 20Hz
- 0.1A secondary

**5 YEAR WARRANTY**



## APPLICATIONS

- Variable frequency drives
- Use with watt or current transducers and energy management systems
- Use with any indicating device or ammeter requiring 0.1A input

## MODEL SELECTION

CURRENT RATIO (A)	PART NUMBER	FREQUENCY RANGE (HZ)	BURDEN (VA)	RATIO ERROR (%)	PHASE ERROR (MINUTES)	SIZE
100:0.1	19972	20-130	0.1	0.1	10	1
200:0.1	19973	20-130	0.1	0.1	5	1
400:0.1	19974	20-130	0.1	0.1	5	2
800:0.1	19851	20-130	0.1	0.1	5	2

## SPECIFICATIONS

**INPUT**..... Select from Current Ratio column in table

**OUTPUT**..... Secondary current..... 0.1A

Burden..... (10Ω @ 0.1A)..... 0.1VA

**INSULATION CLASS**..... 600V

### ACCURACY

Ratio and phase errors from table apply from 10% to 100% of range.

### PHYSICAL

Secondary Terminations..... 72 inch, flying leads

Weight..... Size 1 ..... 100A=0.20lb, 200A=0.25lb

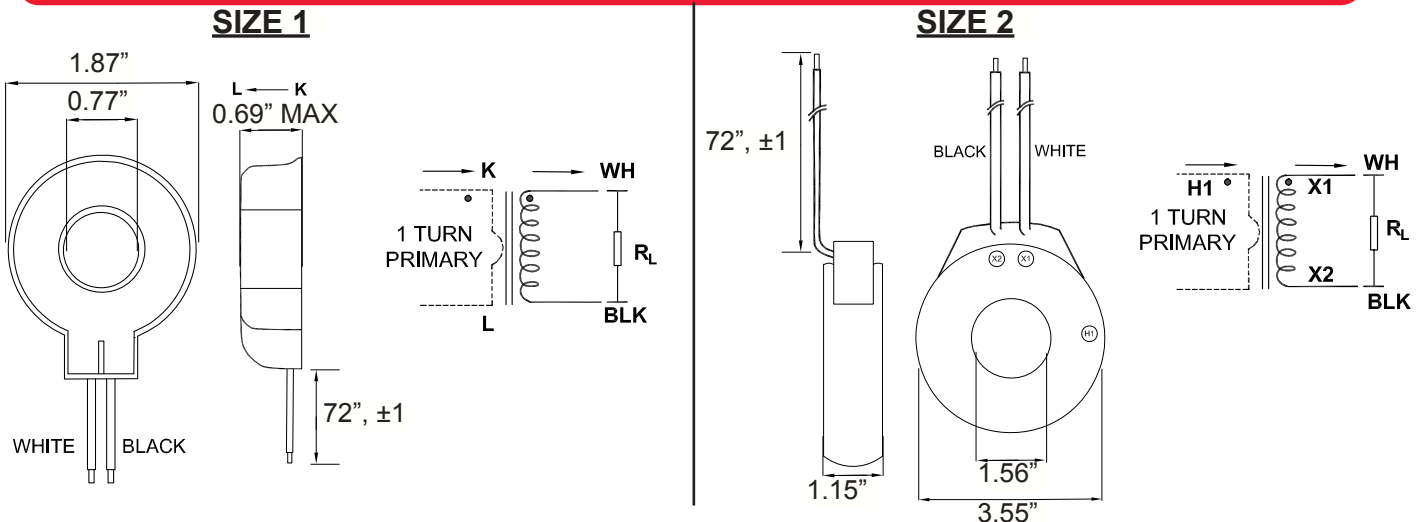
Size 2 ..... 400A=0.65lb, 800A=0.80lb

### TEMPERATURE

Operating Range..... -20 to 65°C

Rating Factor ..... 1.5 @ 25°C, 1.0 @ 65°C

## CONNECTIONS and DIMENSIONS



UNLESS OTHERWISE INDICATED,  
ALL DIMENSIONS ARE IN INCHES, TOLERANCE IS ±0.03

Dwg# 0902-01039-B Rev--

# OHIO SEMITRONICS, INC.

4242 REYNOLDS DRIVE \* HILLIARD, OHIO \* 43026-1264  
PHONE: (614) 777-1005 \* FAX: (614) 777-4511  
WWW.OHIOSEMITRONICS.COM \* 1-800-537-6732